

15 Watt BR Single Series DC/DC Converters



Features

- Up to 15 Watts of Output Power
- Wide Input Range
- Rated to 100°C Case Operating Temperature
- 24 & 48 Volt Nominal Inputs, 1.8, 2.5, 3.3, 5, 12 and 15 Volt Outputs
- Five Year Warranty
- Water Washable Design

- RoHS Compliant

Description

The Calex BR series are 15 Watt DC/DC converters in a 1" x 2" case with a 4:1 input ratio. The input voltage range is 9 to 36 VDC for 24 Volt models and 18 to 72 for 48 Volt models.

The BR series requires a low source impedance at the input terminals by using an external capacitor (see Application Notes). These models do not have an internal input filter.

The units are filled with a compound which allows them to withstand a normal water wash after being soldered to a PC board.

| Selection Chart | | | | |
|-----------------|-----------------|-----|------------|-----------|
| Model | Input Range VDC | | Output VDC | Output mA |
| | Min | Max | | |
| 24S1R8.4500BR | 9 | 36 | 1.8 | 4500 |
| 24S2R5.4500BR | 9 | 36 | 2.5 | 4500 |
| 24S3R3.4500BR | 9 | 36 | 3.3 | 4500 |
| 24S5.3000BR | 9 | 36 | 5 | 3000 |
| 24S12.1250BR | 9 | 36 | 12 | 1250 |
| 24S15.1000BR | 9 | 36 | 15 | 1000 |
| 48S1R8.4500BR | 18 | 72* | 1.8 | 4500 |
| 48S2R5.4500BR | 18 | 72* | 2.5 | 4500 |
| 48S3R3.4500BR | 18 | 72* | 3.3 | 4500 |
| 48S5.3000BR | 18 | 72* | 5 | 3000 |
| 48S12.1250BR | 18 | 72* | 12 | 1250 |
| 48S15.1000BR | 18 | 72* | 15 | 1000 |

*UL Recognition only applies up to 60VDC

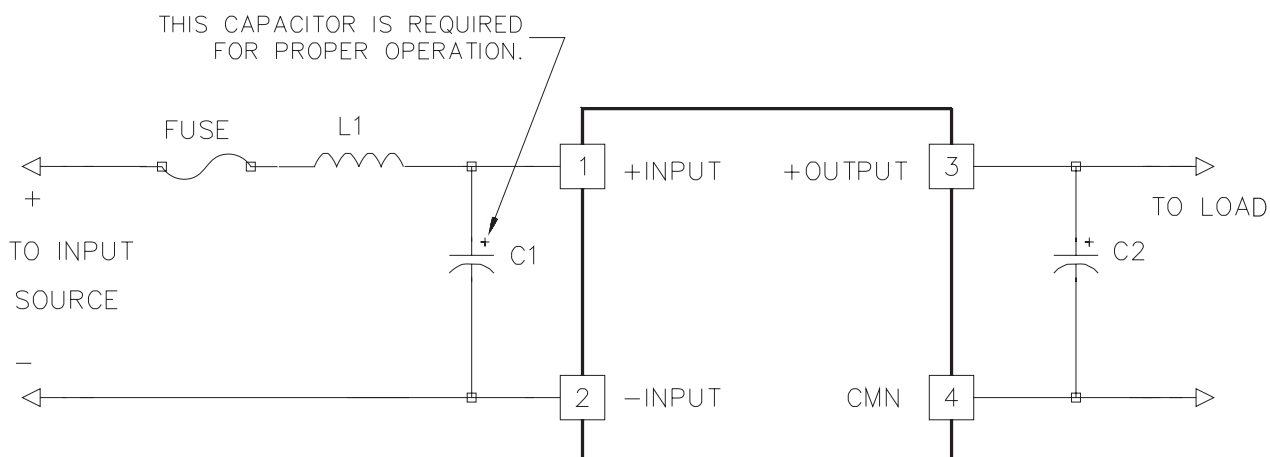


Figure 1. Recommended application

15 Watt BR Single Series DC/DC Converters

Electrical Characteristics

Unless otherwise specified, all parameters are full load, nominal line, $T_A = 25^\circ\text{C}$, and thermal steady state.

| Input Parameters (1) | | | | | | | | |
|---|-----|---------------|---------------|---------------|-------------|--------------|--------------|-------|
| Model | | 24S1R8.4500BR | 24S2R5.4500BR | 24S3R3.4500BR | 24S5.3000BR | 24S12.1250BR | 24S15.1000BR | Units |
| Voltage Range | MIN | 9 | | | | | | VDC |
| | NOM | 24 | | | | | | |
| | MAX | 36 | | | | | | |
| Input Current , No Load | TYP | 10 | 10 | 10 | 10 | 10 | 10 | mADC |
| | TYP | 473 | 630 | 780 | 753 | 744 | 744 | |
| Efficiency $V_{in}=24\text{VDC}$, Full Load | TYP | 72 | 75 | 80 | 83 | 84 | 84 | % |
| Switching Frequency | TYP | 400 | | | | | | kHz |
| Maximum Input Overvoltage, 100ms | MAX | 40 | | | | | | VDC |
| Recommended Fuse | | (2) | | | | | | AMPS |
| Model | | 48S1R8.4500BR | 48S2R5.4500BR | 48S3R3.4500BR | 48S5.3000BR | 48S12.1250BR | 48S15.1000BR | Units |
| Voltage Range | MIN | 18 | | | | | | VDC |
| | NOM | 48 | | | | | | |
| | MAX | 72* | | | | | | |
| Input Current , No Load | TYP | 10 | 10 | 10 | 10 | 10 | 10 | mADC |
| | TYP | 236 | 320 | 385 | 377 | 372 | 372 | |
| Efficiency $V_{in}=48\text{VDC}$, Full Load | TYP | 72 | 75 | 80 | 83 | 84 | 84 | % |
| Switching Frequency | TYP | 400 | | | | | | kHz |
| Maximum Input Overvoltage, 100ms | MAX | 80 | | | | | | VDC |
| Recommended Fuse | | (2) | | | | | | AMPS |

*UL Recognition only applies up to 60VDC

| Output Parameters (1) | | | | | | | | |
|--|-----|--------------------------------|--------------------------------|--------------------------------|----------------------------|------------------------------|------------------------------|-----------------------|
| Model | | 24S1R8.4500BR 48S1R8.4500BR | 24S2R5.4500BR 48S2R5.4500BR | 24S3R3.4500BR 48S3R3.4500BR | 24S5.3000BR 48S5.3000BR | 24S12.1250BR 48S12.1250BR | 24S15.1000BR 48S15.1000BR | Units |
| Output Voltage | | 1.8 | 2.5 | 3.3 | 5 | 12 | 15 | VDC |
| Output Voltage Accuracy | MIN | 1.750 | 2.450 | 3.234 | 4.90 | 11.76 | 14.70 | VDC |
| | TYP | 1.800 | 2.500 | 3.300 | 5.00 | 12.00 | 15.00 | |
| | MAX | 1.850 | 2.550 | 3.366 | 5.10 | 12.24 | 15.30 | |
| Rated Load Range (3) | MIN | 0.68 | 0.68 | 0.68 | 0.45 | 0.19 | 0.15 | ADC |
| | MAX | 4.54 | 4.54 | 4.54 | 3.00 | 1.25 | 1.00 | |
| Load Regulation 1/4 FL - FL | TYP | 0.1 | | | | | | % |
| | MAX | 1 | | | | | | |
| Line Regulation $V_{in} = \text{Min-Max VDC}$ | TYP | 0.02 | 0.02 | | | | % | |
| | MAX | 0.2 | 0.1 | | | | | |
| Power On Overshoot | TYP | 0.5 | | | | | | V |
| Load Transient Recovery Time (1) error band = $\pm 1\%$ | TYP | 200 | | | | | | μs |
| Load Transient Overshoot | TYP | 150 | | | | 300 | | mV peak |
| Noise (4) bw = 0.01 - 1MHz bw = 0 - 20 MHz | TYP | 100 | | | | | | mV P-P |
| | TYP | 150 | | | | | | |
| Temperature Coefficient | TYP | 50 | | | | | | ppm/ $^\circ\text{C}$ |
| | MAX | 150 | | | | | | |
| Short Circuit Protection, Output to Common | | Continuous | | | | | | |

NOTES:

- Refer to the CALEX Application Notes for the definition of terms, measurement circuits, and other information.
Load Transient Overshoot is the output voltage peak amplitude referenced to the final value due to a step load change of 50-75%. "Load Transient Overshoot" and "Dynamic Response" are the same specification. Load Transient Recovery Time is the time for the output to return to within the specified voltage error band centered about the final value. "Load Transient Recovery Time" and "Transient Response" are the same specification.
- See CALEX Application Notes to determine the correct fuse. A fuse is required only for system protection, but must be used for reverse voltage protection of the input.
- Below the minimum rated load, the output may exhibit noise performance degradation. Operation with less than the minimum rated load will not damage unit, and DC regulation is not significantly affected.
- Noise is measured per CALEX Application Notes. Output noise is measured with a 10 μF tantalum capacitor and a 0.01 μF ceramic capacitor connected across the output pins.
- The Case is tied to the -input pin.
- The case thermal impedance is specified as the case temperature rise over ambient per package watt dissipated.
- Specifications subject to change without notice.

15 Watt BR Single Series DC/DC Converters

NOTES CONTINUED:

- (8) Water Washability - Calnex DC/DC converters are designed to withstand most solder/wash processes. Careful attention should be used when assessing the applicability in your specific manufacturing process. Converters are not hermetically sealed.
- (9) RoHS Compliant

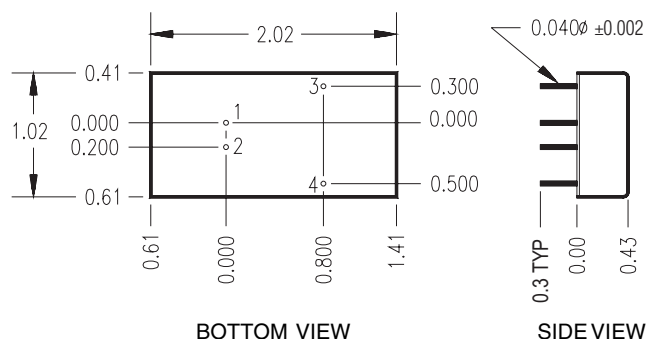
RoHS Compliance means conformity to EU Directive 2002/95/EC of 27 January 2003, on the restriction of the use of certain hazardous substances in electrical and electronic equipment, lead, cadmium, mercury, hexavalent chromium, polybrominated biphenyls, and polybrominated diphenyl ethers are not present in quantities exceeding the following maximum concentrations in any homogeneous material, except for applicable exemptions.

0.1% (by weight of homogeneous material) lead, mercury, hexavalent chromium, polybrominated biphenyls, polybrominated diphenyl ethers, or 0.01% (by weight of homogeneous material) cadmium. The RoHS marking is as follows:



| General Specifications | | | | |
|-----------------------------|-----|--------------|--|---------|
| All Models | | | | Units |
| Isolation (5) | | | | |
| Isolation Voltage | | | | |
| Input to Output 24S | MIN | 700 | | VDC |
| Input to Output 48S | MIN | 1500 | | |
| Input to Output Capacitance | TYP | 1600 | | pF |
| Environmental | | | | |
| Case Operating Range | MIN | -40 | | °C |
| | MAX | 100 | | |
| Storage Range | MIN | -55 | | °C |
| | MAX | 125 | | |
| Thermal Impedance (6) | TYP | 15 | | °C/Watt |
| General | | | | |
| Unit Weight | TYP | 1.1 | | oz |
| Chassis Mounting Kit | | MS8 | | |
| MTBF | | > 1 M Hours | | |
| Agency Approvals | | CSA/UL 60950 | | |

Note: On nominal 48Vin Models UL Recognition only applies up to 60VDC.



| Pin | Function |
|-----|--------------|
| 1 | +INPUT |
| 2 | -INPUT, CASE |
| 3 | +OUTPUT |
| 4 | CMN |

Mechanical tolerances unless otherwise noted:

X.XX dimensions: ± 0.020 inches

X.XXX dimensions: ± 0.005 inches

Pin location is for the mating PCB.

The case is metal with a non-conductive header

15 Watt BR Single Series DC/DC Converters

Application Notes

General

Figure 1 shows the recommended connections for the 15 Watt BR Single. Capacitor C1 is mandatory for proper operation as the BR may be damaged if operated without it. C1 must be rated to handle the ripple current from the BR input. L1 is optional and serves to reduce the reflected ripple current from the BR back into the Input Source. L1 must be rated to handle the DC input current. Information about C1 and L1 is shown in the following paragraphs. The fuse is required only for system protection (Note 2).

Capacitor C2 is optional and serves to further reduce output noise. It may be made up of several capacitors already in your system that are distributed at the loads.

Input Capacitor

C1 in figure 1 is mandatory and must be connected across the input pins for proper operation. Locate C1 within 1" maximum from the input pins.

Suggested Capacitor P/N's:

| Model | Type | P/N |
|-------|-----------|---|
| 24S | Thru hole | 470µF, 50V, 0.059 ohms, 2.0A at +85°C (1.2A at +105°C) NIC: NRSZ471M50V12.5X20 |
| 24S | SMT | 6.8µF, 50V, 0.6 ohms, 0.49A at +85°C. Use 4 in parallel. Vishay Sprague: 593D685X9050D2 |
| 48S | Thru hole | 68µF, 100V, 0.24 ohms, 1.0A at +85°C (0.63A at +105°C) NIC: NRSZ680M100V10X20 |
| 48S | SMT | 100µF, 100V, 0.17 ohms, 1.1A at +85°C (0.79A at +105°C) NIC: NACK101M100V16X17 |

The ripple current and ESR ratings are at 100kHz. Equivalents are available from other manufacturers.

The following table lists the requirements for C1

C1 Requirements:

| Model | Input Voltage VDC | Required Capacitor Ripple Current A-RMS, minimum rating |
|-------|-------------------|---|
| 24S | 9 to 36 | 1.8 |
| 48S | 18 to 72 | 0.9 |

Input Inductor

The same inductor is suitable for both 24S and 48S models of the BR.

Suggested Inductor P/N's:

| | |
|-----------|---|
| Thru hole | 10µH, 4.2ADC, 0.030 ohms. Coilcraft: RFB08010-100 |
| SMT | 10µH, 3.5ADC, 0.040 ohms. Coilcraft: DO3340P-103 |

Equivalents are available from other manufacturers.

Input Filter:

Using an input filter with the values shown gives the following results:

| Model | C1 | L1 | Reflected Ripple Current |
|-------|------------------------------|------|----------------------------------|
| 24S | Four 6.8µF / 50V Tantalum | 10µH | About 50mA P-P About 20mA RMS |
| 48S | 100µF / 100V | 10µH | About 25mA P-P About 12mA RMS |

P-P Reflected Current does not include the switching spike.

The C1 and L1 parts listed above are suitable for the BR operating at full power output. These C1 and L1 parts will work up to +85°C ambient temperature, although the BR itself will require some sort of heatsink or cooling to operate at full power at +85°C ambient. More filtering can be accomplished by increasing the value of C1 and lowering its ESR which is done by paralleling capacitors. In addition adding an optional ceramic capacitor of 0.1 to 1.0µF close to the pins will further help reduce the spike.

Increasing the value of L1 requires at least a proportional increase in the value of C1. i.e. If L1 is doubled then at least double the value of C1 shown in the table. Not using L1 (but MUST have C1) will increase the Reflected Ripple Current back into the the Input Source power supply.

Measurement Technique

Using the ground clip lead on a scope probe will show sharp switching spikes on the oscilloscope, while using a tip jack will minimize this effect. There will generally be a switching spike when scoping the input pins which happens because capacitor C1 cannot be located directly on the BR input pins.